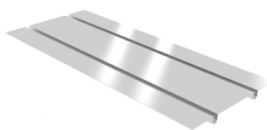




scan me for more

product group	underfloor heating components - dry system
product name	Heat transfer alu plate double
product SGI code	2212
product CN code	76061191

TECHNICAL SPECIFICATION

HEAT TRANSFER ALU PLATE DOUBLE		Dimensions	[mm]	length 1000, width 390	
		Thickness	[mm]	0,5	
For pipe diameter		[mm]	16		
Pipe distance		[mm]	200		
Gross weight		[kg]	360		
Color			silver		
Material			aluminium		
Packaging			single box - 20 pcs / 24 boxes on a pallet		
SGI CATALOGUE CODE:					
2212					

LOGISTIC SPECIFICATION

Single pack				Multipack				Pallet		
single pack	single pack quantity pcs	single pack dimension mm	single pack gross weight kg	multi pack	multi pack quantity of single pack	multi pack dimension mm	multi pack gross weight kg	multi pack qty on pallet	Dimensions mm	Gross weight kg
box	20 pcs	1020x415x185	18					24	1200x800x2200	445